

The data to be read in conjunction with the Hydrogen Thyatron Preamble.

## ABRIDGED DATA

Deuterium-filled, fast recovery, tetrode thyatron, specifically designed for operation under medical linac conditions. A reservoir operating from the cathode heater supply is incorporated.

Peak forward anode voltage	-	33 kV max
Peak anode current	-	1000 A max
Average anode current:		
Continuous operation	-	1.25 A max
Intermittent operation	-	2.2 A max

## GENERAL DATA

### Electrical

Cathode (connected internally to mid-point of the heater)	-	Oxide coated
Heater voltage	-	6.3 + 0.2 V - 0.3 V
Heater current	-	22 A
Tube heating time (minimum)	-	5.0 min

### Mechanical

Overall length	-	317.5 mm (12.500 inches) max
Overall diameter	-	84.12 mm (3.312 inches) max
Net weight	-	0.7 kg (1.5 pounds) approx.
Mounting position (see note 1)	-	Any
Base	-	Pin spacing as B5F
Top cap (see note 2)	-	BS448-CT3

<b>Cooling</b>	-	Natural
----------------	---	---------



Whilst Teledyne e2v has taken care to ensure the accuracy of the information contained herein it accepts no responsibility for the consequences of any use thereof and also reserves the right to change the specification of goods without notice. Teledyne e2v accepts no liability beyond that set out in its standard conditions of sale in respect of infringement of third party patents arising from the use of tubes or other devices in accordance with information contained herein.

Teledyne e2v (UK) Limited, Waterhouse Lane, Chelmsford, Essex CM1 2QU United Kingdom Teledyne e2v (UK) Ltd. is a Teledyne Technologies company.

Telephone: +44 (0)1245 493493 Facsimile: +44 (0)1245 492492

Contact Teledyne e2v by e-mail: [Enquiries@Teledyne-e2v.com](mailto:Enquiries@Teledyne-e2v.com) or visit [www.teledyne-e2v.com](http://www.teledyne-e2v.com) for global sales and operations centres.

© Teledyne e2v (UK) Limited 2018

Template: DF764388A Ver 16

A1A-783448 Version 3, September 2018

126447

# PULSE MODULATOR SERVICE

## MAXIMUM AND MINIMUM RATINGS (Absolute values)

Anode	Min	Max	
Peak forward anode voltage (see note 3)	-	33	kV
Peak inverse anode voltage (see note 4)	-	33	kV
Peak anode current	-	1000	A
Peak anode current (pulse repetition rate limited to 60 pps max)	-	2000	A
Average anode current: Continuous operation	-	1.25	A
Intermittent operation	-	2.2	A
Rate of rise of anode current (see note 5)	-	5000	A/μs

Grid 2	Min	Max	
Unloaded grid 2 drive pulse voltage (see note 6)	500	1000	V
Grid 2 pulse duration	1.0	-	μs
Rate of rise of grid 2 pulse (see note 5)	1.0	-	kV/μs
Grid 2 pulse delay	0.5	3.0	μs
Peak inverse grid 2 voltage	-	450	V
Loaded grid 2 bias voltage	0	-150	V
Grid 2 drive impedance	50	500	Ω
Grid 2 bias impedance	30	50	kΩ

Grid 1 – DC Primed (see note 7)	Min	Max	
DC grid 1 unloaded priming voltage	75	150	V
DC grid 1 priming current	50	100	mA

Grid 1 – Pulsed (see note 7)	Min	Max	
Unloaded grid 1 drive pulse voltage (see note 6)	300	1000	V
Grid 1 pulse duration	2.0	-	μs
Rate of rise of grid 1 pulse (see note 5)	1.0	-	kV/μs
Peak inverse grid 1 voltage	-	450	V
Loaded grid 1 bias voltage	See note 8		
Peak grid 1 drive current	0.3	1.0	A

Cathode	Min	Max	
Heater voltage	6.3	+0.2 -0.3	V
Tube heating time	5.0	-	min

Environmental	Min	Max	
Ambient temperature	-50	+90	°C
Altitude	-	3 10,000	km ft

## CHARACTERISTICS

	Min	Typ	Max	
Critical DC anode voltage for conduction (see note 9)	-	0.5	2.0	kV
Anode delay time (see notes 9 and 10)	-	0.15	0.25	μs
Anode delay drift time (see notes 9 and 11)	-	20	50	ns
Time jitter (see note 9)	-	1.0	5.0	ns
Recovery time	See graph, page 5			
Heater current (at 6.3 V)	18	22	25	A

## RATINGS FOR FAULT CONDITIONS, SINGLE-SHOT OR CROWBAR SERVICE

DC forward anode voltage	-	30 kV max
Peak anode current	-	10,000 A max
Product of peak current and pulse duration	-	0.6 A.s max
Repetition frequency	-	1 pulse per 10 s max

## NOTES

1. Clamping is only permissible by the base.
2. A large area anode connector, Teledyne e2v type MA360, is recommended.
3. The maximum permissible peak forward voltage for instantaneous starting is 33 kV and there must be no overshoot.
4. The peak inverse voltage must not exceed 10 kV for the first 25  $\mu$ s after the anode pulse.
5. This rate of rise refers to that part of the leading edge of the pulse between 25% and 75% of the pulse amplitude.
6. Measured with respect to cathode. In certain cases the maximum drive pulse voltage may be exceeded without damage to the tube; a maximum value of 2.5 kV is then recommended. When grid 1 is pulse driven, the last 0.25  $\mu$ s of the top of the grid 1 pulse must overlap the corresponding first 0.25  $\mu$ s of the top of the delayed grid 2 pulse.
7. DC priming is recommended for crowbar service. Grid 1 pre-pulsing is recommended for operating conditions requiring minimum anode delay time drift and minimum jitter.
8. DC negative bias voltages must not be applied to grid 1. When grid 1 is pulse driven, the potential of grid 1 may vary between -10 and +5 V with respect to cathode potential during the period between the completion of recovery and the commencement of the succeeding grid pulse.
9. Typical figures are obtained on test using conditions of minimum grid drive (pre-pulse on grid 1).
10. The time interval between the instant at which the rising unloaded grid 2 pulse reaches 25% of its pulse amplitude and the instant when anode conduction takes place.
11. The drift in delay time over a period from 10 seconds to 10 minutes after reaching full voltage.

## MA91C ADAPTOR ASSEMBLY

In addition to standard top cap connectors and base sockets, adaptor assembly MA91C is available from Teledyne e2v. This is a five-contact socket fitted with flexible leads and terminal tags, and mounted on an insulating base plate. It provides a conversion from base to flange type mounting.

**Further information is contained in the leaflet 'Accessories for Hydrogen Thyratrons'.**

## HEALTH AND SAFETY HAZARDS

Teledyne e2v thyratrons are safe to handle and operate, provided that the relevant precautions stated herein are observed. Teledyne e2v does not accept responsibility for damage or injury resulting from the use of electronic devices it produces. Equipment manufacturers and users must ensure that adequate precautions are taken. Appropriate warning labels and notices must be provided on equipment incorporating Teledyne e2v devices and in operating manuals.



### High Voltage

Equipment must be designed so that personnel cannot come into contact with high voltage circuits. All high voltage circuits and terminals must be enclosed and fail-safe interlock switches must be fitted to disconnect the primary power supply and discharge all high voltage capacitors and other stored charges before allowing access. Interlock switches must not be bypassed to allow operation with access door open.



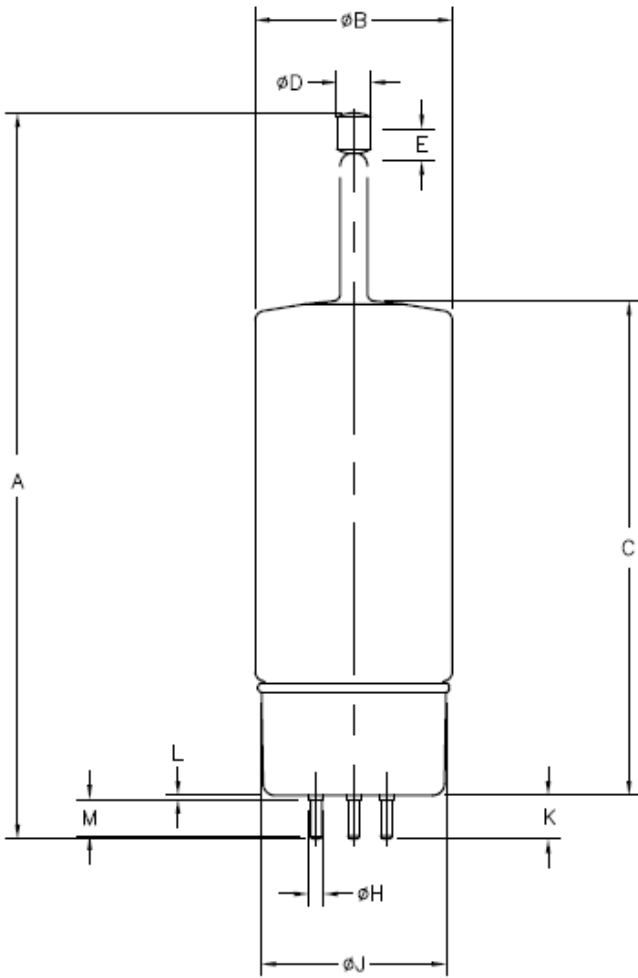
### X-Ray Radiation

All high voltage devices produce X-rays during operation and may require shielding. The X-ray radiation from hydrogen thyratrons is usually reduced to a safe level by enclosing the equipment or shielding the thyatron with at least 1.6 mm (1/16 inch) thick steel panels.

Users and equipment manufacturers must check the radiation level under their maximum operating conditions.

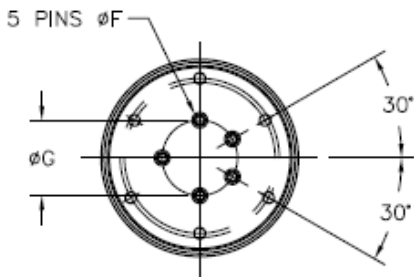
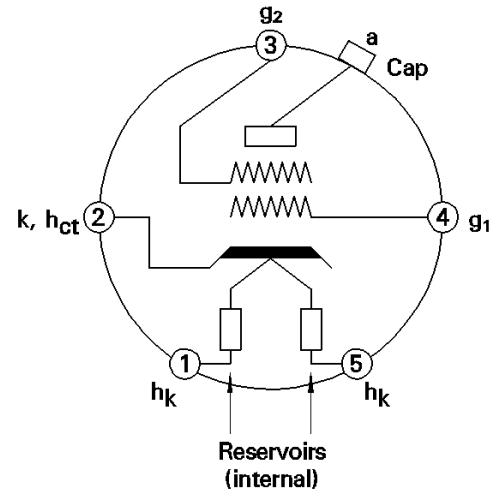
# OUTLINE

(All dimensions without limits are nominal)



Ref	Millimetres	Inches
A	304.8 ± 12.7	12.000 ± 0.500
B	84.12 max	3.312 max
C	215.9 ± 12.7	8.500 ± 0.500
D	14.38 ± 0.18	0.566 ± 0.008
E	12.7 min	0.500 min
F	4.75 ± 0.08	0.187 ± 0.003
G	31.75	1.250
H	6.6 max	0.260 max
J	77.77 ± 1.57	3.062 ± 0.062
K	19.56 max	0.770 max
L	1.85 max	0.073 max
M	14.6 min	0.575 min

Inch dimensions have been derived from millimetres



Pin	Element
1	Heater
2	Cathode, connected internally to heater mid-point
3	Grid 2
4	Grid 1
5	Heater
Top cap	Anode